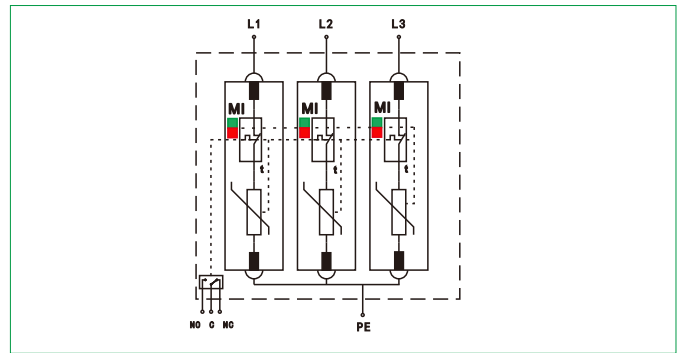
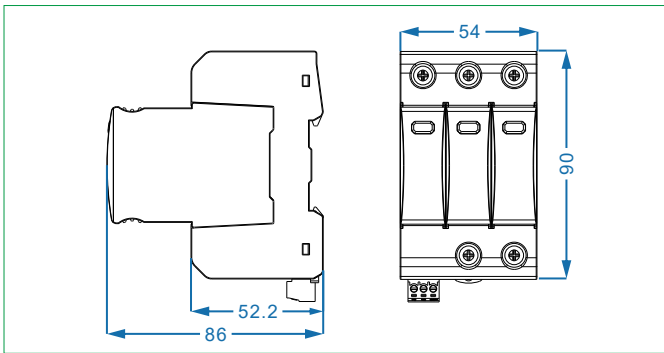


FV12.5B+C/3-***EN(S)



- ◆ Class I+II / Type 1+2 surge protective devices.
- ◆ For using in the lightning protection zones concept at boundary 1-2.
- ◆ The core parts are metal oxide varistor components with high discharge capacity.
- ◆ Reliable control thanks to Thermo Dynamic Control disconnecter.
- ◆ With remote signaling contact for control device.
- ◆ Fault indication via red mark in the inspection window.
- ◆ Protection mode --- L1,L2,L3-PE



Model No.	FV12.5B+C/3-275EN(S)
Test class IEC/EN/VDE	Class I+II/B+C/ T_1 T_2
Type of Network	IT
Protection Mode	L1, L2, L3 - PE
Nominal voltage 50(60)Hz U_N	220/380V~
Rated Voltage (Max. Cont. Operating Voltage) U_c	275V~
Impulse current (10/350 μ s) I_{imp}	12.5kA
Max. discharge current (8/20 μ s) I_{max}	65kA
Nominal discharge current (8/20 μ s) I_n	20kA
Voltage protective level U_p	≤ 1.5 kV
Response time t_A	≤ 25 ns
Recommended back-up fuse	160A
Isolation resistance	$> 10^2$ M Ω
I/O Connections	Multi core wire:6mm ² ~25mm ²
Mounting	35mm DIN rail acc.to EN 60715
Operation temperature range / humidity / altitude	-40°C~+80°C/30%~90%/2000m
Degree of protection	IP20
Housing material	UL94 V-0
Disconnection indicator	Mechanical indicator(Green:OK,Red:Replace)
Remote control contact	Optional

Port definition of remote control contact	Range of signal access		Recommended wire specification	
	AC	$U_{max} \leq 250$ V	Single core wire	Max ≤ 1.5 mm ²
		$I_{max} \leq 0.5$ A		
	DC	$U_{max} \leq 60$ V	Multi core wire	Max ≤ 1.3 mm ²
		$I_{max} \leq 0.1$ A		

Remark: if the model number is without "S", the model is without remote control contact function