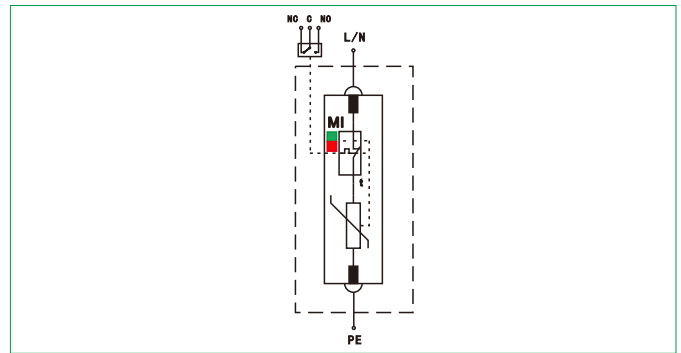
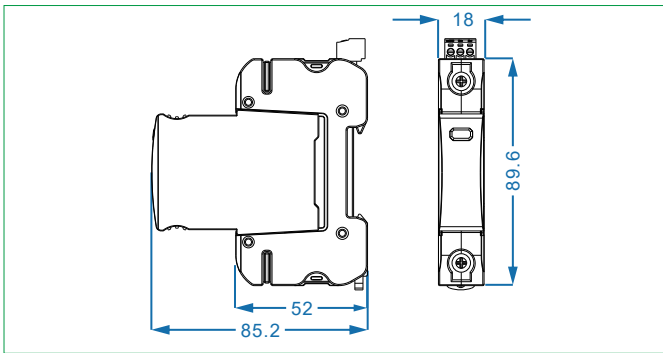


## FV12.5B+C/1-\*\*\*EN(S)



- ◆ Class I+II / Type 1+2 surge protective devices.
- ◆ For using in the lightning protection zones concept at boundary 1-2.
- ◆ The core parts are metal oxide varistor components with high discharge capacity.
- ◆ Reliable control thanks to Thermo Dynamic Control disconnecter.
- ◆ With remote signaling contact for control device.
- ◆ Fault indication via red mark in the inspection window.
- ◆ Protection mode --- L/N-PE.



Model No.	FV12.5B+C/1-275EN(S)
Test class IEC/EN/VDE	Class I+II/B+C/ $T_1$ $T_2$
Type of Network	TT, TN, IT
Protection Mode	L / N - PE
Nominal voltage 50(60)Hz $U_N$	220/380V~
Rated Voltage (Max. Cont. Operating Voltage) $U_c$	275V~
Impulse current (10/350 $\mu$ s) $I_{imp}$	12.5kA
Max. discharge current (8/20 $\mu$ s) $I_{max}$	65kA
Nominal discharge current (8/20 $\mu$ s) $I_n$	20kA
Voltage protective level $U_p$	$\leq 1.5kV$
Response time $t_A$	$\leq 25ns$
Recommended back-up fuse	160A
Isolation resistance	$> 10^7 M\Omega$
I/O Connections	Multi core wire: 6mm <sup>2</sup> ~25mm <sup>2</sup>
Mounting	35mm DIN rail acc.to EN 60715
Operation temperature range / humidity / altitude	-40°C~+80°C/30%~90%/2000m
Degree of protection	IP20
Housing material	UL94 V-0
Disconnection indicator	Mechanical indicator(Green:OK,Red:Replace)
Remote control contact	Optional

Port definition of remote control contact	Range of signal access		Recommended wire specification	
	AC	$U_{max} \leq 250V$	Single core wire	Max $\leq 1.5mm^2$
		$I_{max} \leq 0.5A$		
	DC	$U_{max} \leq 60V$	Multi core wire	Max $\leq 1.3mm^2$
		$I_{max} \leq 0.1A$		

Remark: if the model number is without "S", the model is without remote control contact function