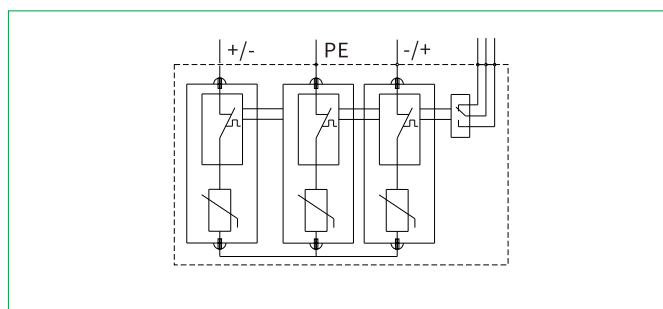
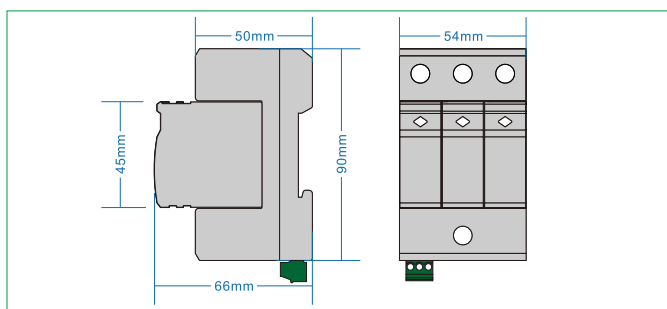


FV10D/3 - ***PV (S)



- ◆ DC surge protective device used for photovoltaic system.
- ◆ The core parts are metal oxide varistor components with high discharge capacity.
- ◆ With Reliable control thanks to Thermo Dynamic Control disconnecter.
- ◆ Remote signaling contact for control device optional.
- ◆ Fault indication via red mark in the inspection window.
- ◆ 3 poles, Y type.



| Model No. | FV10D/3-48PV(S) | FV10D/3-96PV(S) | FV10D/3-500PV(S) | FV10D/3-600PV(S) | FV10D/3-800PV(S) | FV10D/3-1000PV(S) | FV10D/3-1500PV(S) |
|---|---|-----------------|------------------|------------------|------------------|-------------------|-------------------|
| Test class IEC/EN/VDE | Class III/D/ $\overline{T3}$ | | | | | | |
| Type of Network | Photovoltaic system | | | | | | |
| Protection Mode | +/- — PE 、 -/+ — PE 、 +/- — -/+ | | | | | | |
| Nominal voltage 50(60)Hz U_N | 48V dc | 96V dc | 500V dc | 600V dc | 800V dc | 1000V dc | 1500V dc |
| Rated Voltage (Max. Cont. Operating Voltage) $U_{c,pv}$ | 75V dc | 125V dc | 560V dc | 670V dc | 825V dc | 1060V dc | 1800V dc |
| Max. discharge current (8/20 μ s) I_{max} | 20kA | | | | | | |
| Nominal discharge current (8/20 μ s) I_n | 10kA | | | | | | |
| Voltage protective level U_p | $\leq 0.3kV$ | $\leq 0.6kV$ | $\leq 1.8kV$ | $\leq 2.4kV$ | $\leq 3.0kV$ | $\leq 3.6kV$ | $\leq 5.0kV$ |
| Response time t_A | $\leq 25ns$ | | | | | | |
| Open circuit voltage U_{oc} | 20kV | | | | | | |
| Recommended back-up fuse | 125A | | | | | | |
| Isolation resistance | $> 10^2 M\Omega$ | | | | | | |
| I/O Connections | Multi core wire : 4mm ² ~25mm ² | | | | | | |
| Mounting | 35mm Symmetrical rail (EN50022/DIN46277-3) | | | | | | |
| Operation temperature range / humidity / altitude | -40°C~+80°C / 30%~90% / 3000m | | | | | | |
| Degree of protection | IP20 | | | | | | |
| Housing material | UL94 V-0 | | | | | | |
| Disconnection indicator | Mechanical indicator (Green: OK, Red: replace) | | | | | | |
| Remote control contact | Optional | | | | | | |

| Port definition of remote control contact | Range of signal access | | Recommended wire specification | |
|---|------------------------|---------------------|--------------------------------|--------------------|
| | AC | $U_{max} \leq 250V$ | Single core wire | Max $\leq 1.5mm^2$ |
| | | $I_{max} \leq 0.5A$ | | |
| | DC | $U_{max} \leq 60V$ | Multi core wire | Max $\leq 1.3mm^2$ |
| | | $I_{max} \leq 0.1A$ | | |

Remark: if the model number is without "S", the model is without remote control contact function