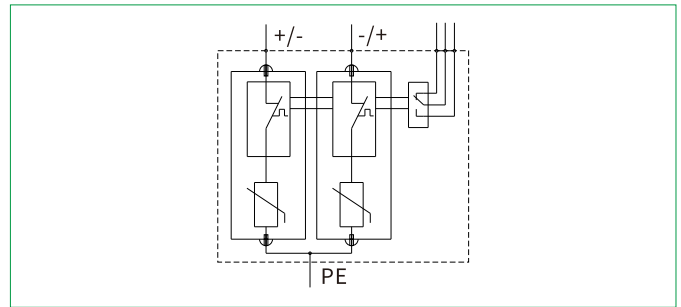
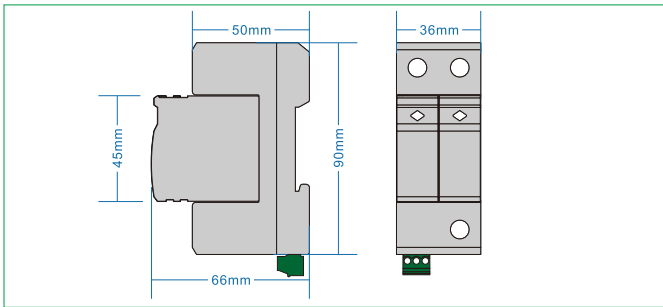


## FV10D/2-\*\*\*PV(S)



- ◆ DC surge protective device used for photovoltaic system.
- ◆ The core parts are metal oxide varistor components with high discharge capacity.
- ◆ With Reliable control thanks to Thermo Dynamic Control disconnecter.
- ◆ Remote signaling contact for control device optional.
- ◆ Fault indication via red mark in the inspection window.
- ◆ 2 poles, U type.



| Model No.   | FV10D/2-48PV(S)                                  | FV10D/2-96PV(S) | FV10D/2-500PV(S) | FV10D/2-600PV(S) | FV10D/2-800PV(S) | FV10D/2-1000PV(S) |
|---|--|-----------------|------------------|------------------|------------------|-------------------|
| Test class IEC/EN/VDE                                   | Class III/D/                                     |                 |                  |                  |                  |                   |
| Type of Network   | Photovoltaic system                              |                 |                  |                  |                  |                   |
| Protection Mode   | +/- — PE 、 -/+ — PE                              |                 |                  |                  |                  |                   |
| Nominal voltage 50(60)Hz $U_N$                          | 48V dc   | 96V dc          | 500V dc          | 600V dc          | 800V dc          | 1000V dc          |
| Rated Voltage (Max. Cont. Operating Voltage) $U_{c,pv}$ | 75V dc   | 125V dc         | 560V dc          | 670V dc          | 825V dc          | 1060V dc          |
| Max. discharge current (8/20 $\mu$ s) $I_{max}$         | 20kA   |                 |                  |                  |                  |                   |
| Nominal discharge current (8/20 $\mu$ s) $I_n$          | 10kA   |                 |                  |                  |                  |                   |
| Voltage protective level $U_p$                          | $\leq 0.3kV$                                     | $\leq 0.6kV$    | $\leq 1.8kV$     | $\leq 2.4kV$     | $\leq 3.0kV$     | $\leq 3.6kV$      |
| Response time $t_A$                                     | $\leq 25ns$                                      |                 |                  |                  |                  |                   |
| Open circuit voltage $U_{oc}$                           | 20kV   |                 |                  |                  |                  |                   |
| Recommended back-up fuse                                | 125A   |                 |                  |                  |                  |                   |
| Isolation resistance                                    | $> 10^2 M\Omega$                                 |                 |                  |                  |                  |                   |
| I/O Connections   | Multi core wire: $4mm^2 \sim 25mm^2$             |                 |                  |                  |                  |                   |
| Mounting  | 35mm Symmetrical rail (EN50022/DIN46277-3)       |                 |                  |                  |                  |                   |
| Operation temperature range / humidity / altitude       | $-40^\circ C \sim +80^\circ C$ / 30%~90% / 3000m |                 |                  |                  |                  |                   |
| Degree of protection                                    | IP20   |                 |                  |                  |                  |                   |
| Housing material  | UL94 V-0   |                 |                  |                  |                  |                   |
| Disconnection indicator                                 | Mechanical indicator (Green: OK, Red: replace)   |                 |                  |                  |                  |                   |
| Remote control contact                                  | Optional   |                 |                  |                  |                  |                   |

| Port definition of remote control contact | Range of signal access |                     | Recommended wire specification |                    |
|---|------------------------|---------------------|--------------------------------|--------------------|
|   | AC                     | $U_{max} \leq 250V$ | Single core wire               | Max $\leq 1.5mm^2$ |
|   |                        | $I_{max} \leq 0.5A$ |                                |                    |
|   | DC                     | $U_{max} \leq 60V$  | Multi core wire                | Max $\leq 1.3mm^2$ |
|   |                        | $I_{max} \leq 0.1A$ |                                |                    |

Remark: if the model number is without "S", the model is without remote control contact function