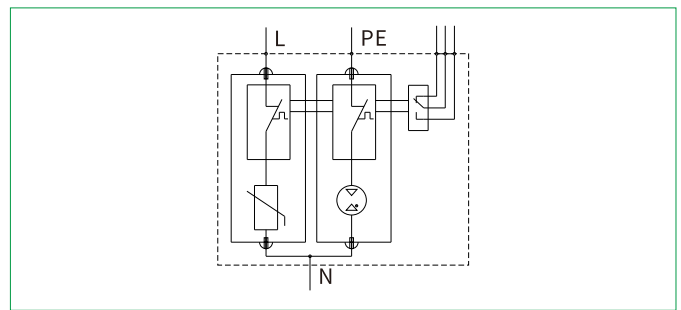
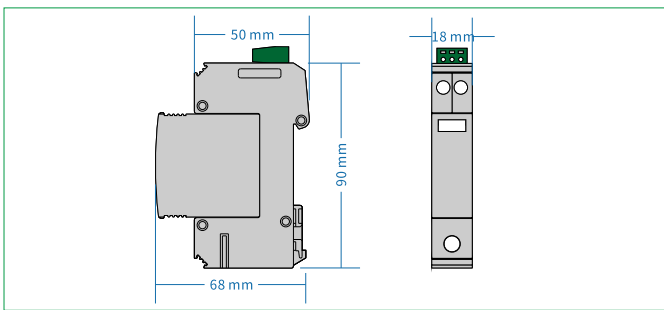


## FVC10D/1+NPE -\*\*\* (S)



- ◆ Narrow size surge protective device special design for saving installation space--- width 9mm/pole.
- ◆ High discharge current--- I<sub>max</sub> 20kA per pole.
- ◆ Indication window for clear display of SPD status--- each pole with one indication window.
- ◆ Remote controlling function -for your option.
- ◆ Pluggable module--- convenient for maintenance.
- ◆ Protection mode --- L-N,N-PE.
- ◆ 1 phase, 2 poles.



Model No.	FVC10D/1+NPE-150(S)	FVC10D/1+NPE-275(S)	FVC10D/1+NPE-320(S)	FVC10D/1+NPE-385(S)	FVC10D/1+NPE-440(S)	
Test class IEC/EN/VDE	Class II+III/C+D/ $\overline{T2}$ $\overline{T3}$					
Type of Network	TT					
Protection Mode	L - N , N - PE					
Nominal voltage 50(60)Hz U <sub>N</sub>	110/220V~	220/380V~	220/380V~	220/380V~	220/380V~	
Rated Voltage (Max. Cont. Operating Voltage) U <sub>c</sub>	150V~	275V~	320V~	385V~	440V~	
Max. discharge current (8/20μs) I <sub>max</sub>	20kA					
Nominal discharge current (8/20μs) I <sub>n</sub>	10kA					
Voltage protective level U <sub>p</sub>	L-N	≤0.6kV	≤1.2kV	≤1.5kV	≤1.8kV	≤2.0kV
	N-PE	≤1.5kV	≤1.5kV	≤1.5kV	≤1.5kV	≤1.5kV
Open circuit voltage U <sub>oc</sub>	20kV					
Response time t <sub>a</sub>	L-N:≤25ns , N-PE≤100ns					
Recommended back-up fuse	63A					
Isolation resistance	>10 <sup>2</sup> MΩ					
I/O Connections	L-N	Multi core wire: 1.5mm <sup>2</sup> ~10mm <sup>2</sup>				
	PE	Multi core wire: 2.5mm <sup>2</sup> ~25mm <sup>2</sup>				
Mounting	35mm Symmetrical rail (EN50022/DIN46277-3)					
Operation temperature range / humidity / altitude	-40°C~+80°C / 30%~90% / 3000m					
Degree of protection	IP20					
Housing material	UL94 V-0					
Disconnection indicator	Mechanical indicator (Red: replace)					
Remote control contact	Optional					

Port definition of remote control contact	Range of signal access		Recommended wire specification	
	AC	U <sub>max</sub> ≤250V	Single core wire	Max≤1.5mm <sup>2</sup>
		I <sub>max</sub> ≤0.5A		
	DC	U <sub>max</sub> ≤60V	Multi core wire	Max≤1.3mm <sup>2</sup>
		I <sub>max</sub> ≤0.1A		

Remark: if the model number is without "S", the model is without remote control contact function