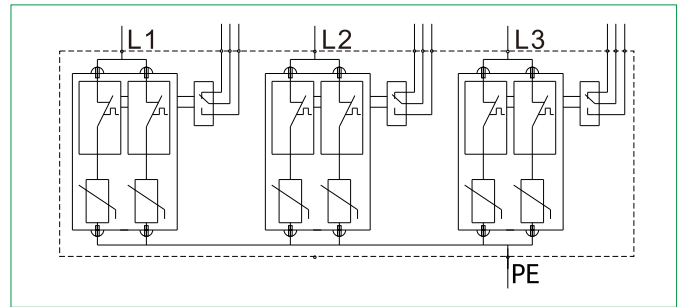
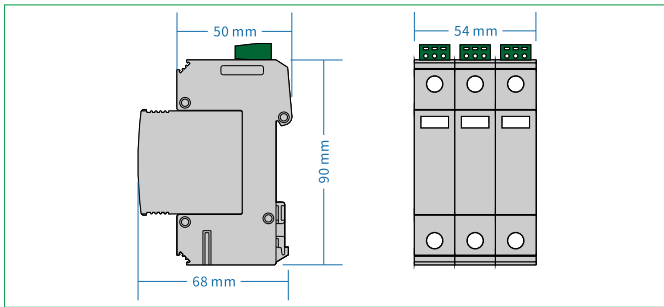


FVB12.5B+C/3-*** (S)



- ◆ Surge protective device with special design for saving installation space--- width 18mm/pole.
- ◆ High discharge current--- I_{imp} 12.5kA per pole.
- ◆ each pole with one indication window, indication window for clear display of SPD status.
- ◆ Remote controlling function for your option.
- ◆ Pluggable module--- convenient for maintenance.
- ◆ Protection mode --- L1,L2,L3-PE.
- ◆ 3 phase, 3 poles.



Model No.	FVB12.5B+C/3-150 (S)	FVB12.5B+C/3-275 (S)
Test class IEC/EN/VDE	Class I+II/B+C/ T_1 T_2	
Type of Network	IT	
Protection Mode	L1, L2, L3 - PE	
Nominal voltage 50(60)Hz U_N	110/220V~	220/380V~
Rated Voltage (Max. Cont. Operating Voltage) U_c	150V~	275V~
Impulse current (10/350 μ s) I_{imp}	12.5kA	
Max. discharge current (8/20 μ s) I_{max}	80kA	
Nominal discharge current (8/20 μ s) I_n	40kA	
Voltage protective level U_p	$\leq 1.0kV$	$\leq 1.7kV$
Response time t_A	$\leq 25ns$	
Recommended back-up fuse	160A	
Isolation resistance	$> 10^2 M\Omega$	
I/O Connections	Multi core wire: $4mm^2 \sim 25mm^2$	
Mounting	35mm Symmetrical rail (EN50022/DIN46277-3)	
Operation temperature range / humidity / altitude	$-40^\circ C \sim +80^\circ C$ / 30%~90% / 3000m	
Degree of protection	IP20	
Housing material	UL94 V-0	
Disconnection indicator	Mechanical indicator (Red: replace)	
Remote control contact	Optional	

Port definition of remote control contact	Range of signal access		Recommended wire specification	
	AC	$U_{max} \leq 250V$	Single core wire	Max $\leq 1.5mm^2$
		$I_{max} \leq 0.5A$		
	DC	$U_{max} \leq 60V$	Multi core wire	Max $\leq 1.3mm^2$
		$I_{max} \leq 0.1A$		

Remark: if the model number is without "S", the model is without remote control contact function