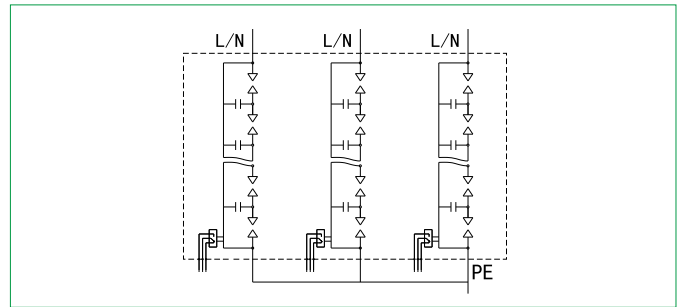
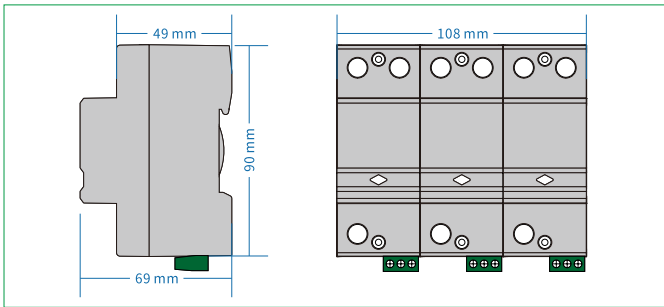


FV50B/3 -*** (S)



- ◆ Adopt unique designed seal construction with multilayer spark gap, no spark emission outside the housing.
- ◆ With working status indication window, and remote control contacts.
- ◆ Max.continuos operating voltage(Uc)150V~,255V~, 275V~,320V~,385V~for your option.
- ◆ Mainly used in lightning protection zone (LPZ) 0 to 1, widely used in building entrance lines elevator, mineral, and so on.
- ◆ 3 phase, 3 poles.



Model No.	FV50B/3-150 (S)	FV50B/3-255 (S)	FV50B/3-275 (S)	FV50B/3-320 (S)	FV50B/3-385 (S)
Test class IEC/EN/VDE	Class I/B/ $\overline{\text{T1}}$				
Type of Network	IT				
Protection Mode	L1, L2, L3 - PE				
Nominal voltage 50(60)Hz U_N	110/220V~	220/380V~	220/380V~	220/380V~	220/380V~
Rated Voltage (Max. Cont. Operating Voltage) U_c	150V~	255V~	275V~	320V~	385V~
Impulse current (10/350 μ s) I_{imp}	50kA				
Nominal discharge current (8/20 μ s) I_n	50kA				
Voltage protective level U_p	≤ 1.8 kV	≤ 1.8 kV	≤ 1.8 kV	≤ 2.0 kV	≤ 2.0 kV
Response time t_a	≤ 100 ns				
Recommended back-up fuse	500A				
Isolation resistance	$> 10^2$ M Ω				
I/O Connections	L-N	Multi core wire: 10mm ² ~25mm ²			
	PE	Multi core wire: > 16 mm ²			
Mounting	35mm Symmetrical rail (EN50022/DIN46277-3)				
Operation temperature range / humidity / altitude	-40 $^{\circ}$ C~+80 $^{\circ}$ C / 30%~90% / 3000m				
Degree of protection	IP20				
Housing material	UL94 V-0				
Disconnection indicator	Mechanical indicator (Green: OK, Red: replace)				
Remote control contact	Optional				

Port definition of remote control contact	Range of signal access		Recommended wire specification	
	AC	$U_{max} \leq 250$ V	Single core wire	Max ≤ 1.5 mm ²
		$I_{max} \leq 0.5$ A		
	DC	$U_{max} \leq 60$ V	Multi core wire	Max ≤ 1.3 mm ²
		$I_{max} \leq 0.1$ A		

Remark: if the model number is without "S", the model is without remote control contact function