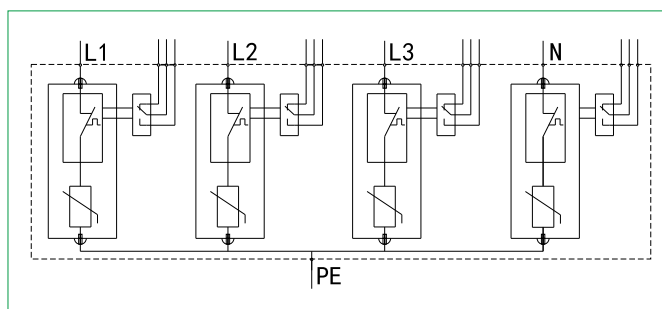
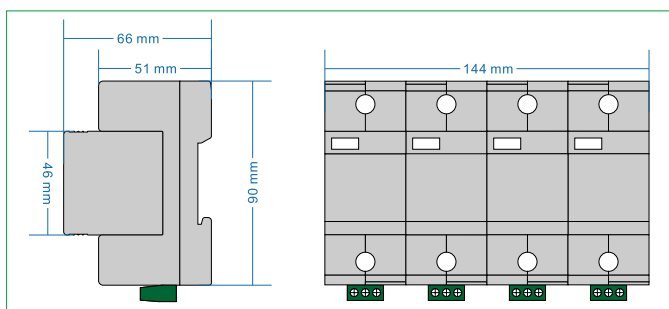


# FV40C/4 -\*\*\*(S)



- ◆ Consisting of a base part and MOV pluggable protection modules.
- ◆ For using in the lightning protection zones concept at boundary 1-2.
- ◆ The core parts are metal oxide varistor components with high discharge capacity.
- ◆ Low residual voltage and quick response.
- ◆ Reliable control thanks to Thermo Dynamic Control disconnecter.
- ◆ With remote signaling contact for control device.
- ◆ Fault indication via red mark in the inspection window.
- ◆ Protection mode: L1, L2,L3,N-PE.



| Model No.   | FV40C/4-150(S)                                       | FV40C/4-275(S) | FV40C/4-320(S) | FV40C/4-385(S) | FV40C/4-440(S) |
|---|--|----------------|----------------|----------------|----------------|
| Test class IEC/EN/VDE                                       | Class II/C/ <u>TT</u>                                |                |                |                |                |
| Type of Network   | TT, TN   |                |                |                |                |
| Protection Mode   | L1, L2, L3, N - PE                                   |                |                |                |                |
| Nominal voltage 50(60)Hz U <sub>N</sub>                     | 110/220V~  | 220/380V~      | 220/380V~      | 220/380V~      | 220/380V~      |
| Rated Voltage (Max. Cont. Operating Voltage) U <sub>c</sub> | 150V~  | 275V~          | 320V~          | 385V~          | 440V~          |
| Max. discharge current (8/20μs) I <sub>max</sub>            | 80kA   |                |                |                |                |
| Nominal discharge current (8/20μs) I <sub>n</sub>           | 40kA   |                |                |                |                |
| Voltage protective level U <sub>p</sub>                     | ≤1.0kV   | ≤1.7kV         | ≤2.0kV         | ≤2.5kV         | ≤2.7kV         |
| Response time t <sub>a</sub>                                | ≤25ns  |                |                |                |                |
| Recommended back-up fuse                                    | 125A   |                |                |                |                |
| Isolation resistance  | >10 <sup>2</sup> MΩ                                  |                |                |                |                |
| I/O Connections   | Multi core wire: 6mm <sup>2</sup> ~35mm <sup>2</sup> |                |                |                |                |
| Mounting  | 35mm Symmetrical rail (EN50022/DIN46277-3)           |                |                |                |                |
| Operation temperature range / humidity / altitude           | -40°C~+80°C / 30%~90% / 3000m                        |                |                |                |                |
| Degree of protection  | IP20   |                |                |                |                |
| Housing material  | UL94 V-0   |                |                |                |                |
| Disconnection indicator                                     | Mechanical indicator (Green: OK, Red: replace)       |                |                |                |                |
| Remote control contact                                      | Optional   |                |                |                |                |

| Port definition of remote control contact | Range of signal access |                        | Recommended wire specification |                         |
|---|------------------------|------------------------|--------------------------------|-------------------------|
|   | AC                     | U <sub>max</sub> ≤250V | Single core wire               | Max ≤1.5mm <sup>2</sup> |
|   |                        | I <sub>max</sub> ≤0.5A |                                |                         |
|   | DC                     | U <sub>max</sub> ≤60V  | Multi core wire                | Max ≤1.3mm <sup>2</sup> |
|   |                        | I <sub>max</sub> ≤0.1A |                                |                         |

Remark: if the model number is without "S", the model is without remote control contact function