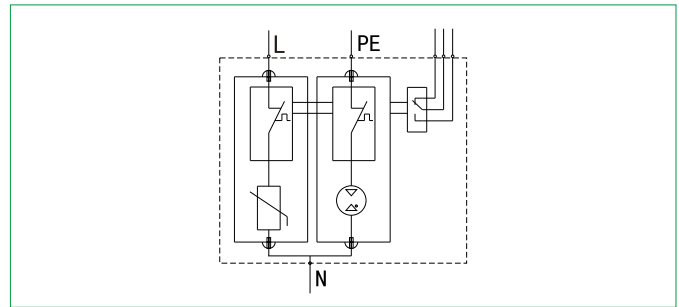
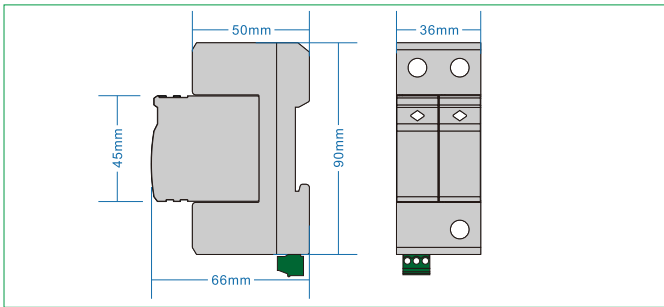


FV30C/1+NPE -***(S)



- ◆ Consisting of a base part and MOV + GDT pluggable protection modules.
- ◆ For using in the lightning protection zones concept at boundary 1-2.
- ◆ The core parts are metal oxide varistor components with high discharge capacity.
- ◆ Low residual voltage and quick response.
- ◆ Reliable control thanks to Thermo Dynamic Control disconnecter.
- ◆ With remote signaling contact for control device.
- ◆ Fault indication via red mark in the inspection window.
- ◆ Protection mode: L-N, N-PE.



| Model No. | FV30C/1+NPE-150(S) | FV30C/1+NPE-275(S) | FV30C/1+NPE-320(S) | FV30C/1+NPE-385(S) | FV30C/1+NPE-440(S) | |
|---|---|--------------------|--------------------|--------------------|--------------------|--------|
| Test class IEC/EN/VDE | Class II/C/ <u>TT</u> | | | | | |
| Type of Network | TT | | | | | |
| Protection Mode | L - N , N - PE | | | | | |
| Nominal voltage 50(60)Hz U _n | 110/220V~ | 220/380V~ | 220/380V~ | 220/380V~ | 220/380V~ | |
| Rated Voltage (Max. Cont. Operating Voltage) U _c | 150V~ | 275V~ | 320V~ | 385V~ | 440V~ | |
| Max. discharge current (8/20μs) I _{max} | 60kA | | | 50kA | | |
| Nominal discharge current (8/20μs) I _n | 30kA | | | 25kA | | |
| Voltage protective level U _p | L-N | ≤0.9kV | ≤1.5kV | ≤1.8kV | ≤2.0kV | ≤2.2kV |
| | N-PE | ≤1.5kV | ≤1.5kV | ≤1.5kV | ≤1.5kV | ≤1.5kV |
| Response time t _a | L-N:≤25ns , N-PE:≤100ns | | | | | |
| Recommended back-up fuse | 125A | | | | | |
| Isolation resistance | >10 ² MΩ | | | | | |
| I/O Connections | Multi core wire : 4mm ² ~25mm ² | | | | | |
| Mounting | 35mm Symmetrical rail (EN50022/DIN46277-3) | | | | | |
| Operation temperature range / humidity / altitude | -40°C~+80°C / 30%~90% / 3000m | | | | | |
| Degree of protection | IP20 | | | | | |
| Housing material | UL94 V-0 | | | | | |
| Disconnection indicator | Mechanical indicator (Green: OK, Red: replace) | | | | | |
| Remote control contact | Optional | | | | | |

| Port definition of remote control contact | Range of signal access | | Recommended wire specification | |
|---|------------------------|------------------------|--------------------------------|-------------------------|
| | AC | U _{max} ≤250V | Single core wire | Max ≤1.5mm ² |
| | | I _{max} ≤0.5A | | |
| | DC | U _{max} ≤60V | Multi core wire | Max ≤1.3mm ² |
| | | I _{max} ≤0.1A | | |

Remark: if the model number is without "S", the model is without remote control contact function