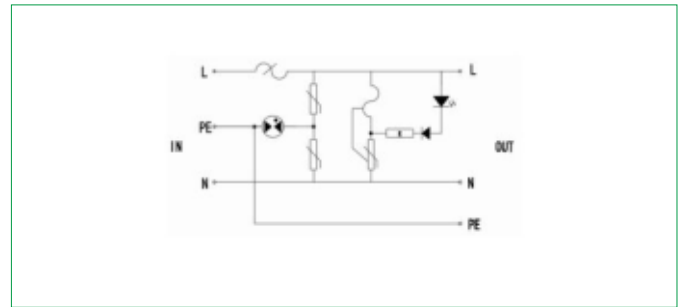
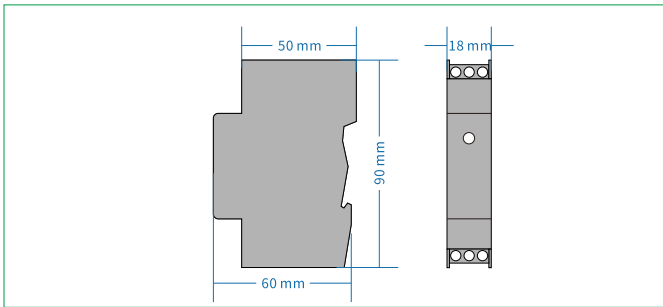


FV03D/2 - ***L



- ◆ Visible fault indication - Green on: Normal; Green off: Fault.
- ◆ For using in the lightning protection zones concept at boundary 2-3.
- ◆ One-One correspondence reliable screening to ensure reliability.
- ◆ Lower voltage protection level Up.
- ◆ I_{max} 6kA.



Model No.	FV03D/2-150L	FV03D/2-275L	FV03D/2-320L	FV03D/2-440L
Test class IEC/EN/VDE	Class II+III/C+D/ $\overline{T2}$ $\overline{T3}$			
Type of Network	TT, TN			
Protection Mode	L - PE, N - PE			
Nominal voltage 50(60)Hz U_N	110/220V~	220/380V~	220/380V~	220/380V~
Rated Voltage (Max. Cont. Operating Voltage) U_c	150V~	275V~	320V~	440V~
Max. discharge current (8/20 μ s) I_{max}	6kA			
Nominal discharge current (8/20 μ s) I_n	3kA			
Voltage protective level U_p	$\leq 0.5kV$	$\leq 0.8kV$	$\leq 1.0kV$	$\leq 1.2kV$
Open circuit voltage U_{oc}	6kV			
Response time t_A	L-N: $\leq 25ns$, L/N-PE: $\leq 100ns$			
Recommended back-up fuse	16A			
Isolation resistance	$> 10^2 M\Omega$			
I/O Connections	Multi core wire: 0.3-2.0mm ²			
Mounting	35mm Symmetrical rail (EN50022/DIN46277-3)			
Operation temperature range / humidity / altitude	-40°C~+80°C / 30%~90% / 3000m			
Degree of protection	IP20			
Housing material	UL94 V-0			
Disconnection indicator	LED indicator light			
Remote control contact	NO			