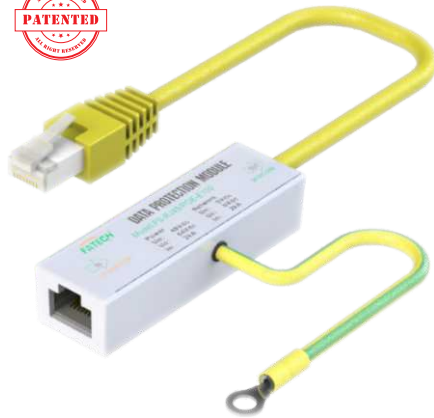
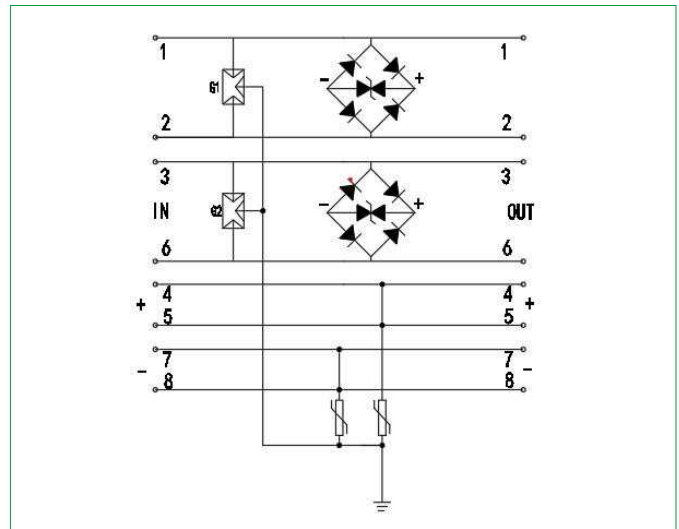
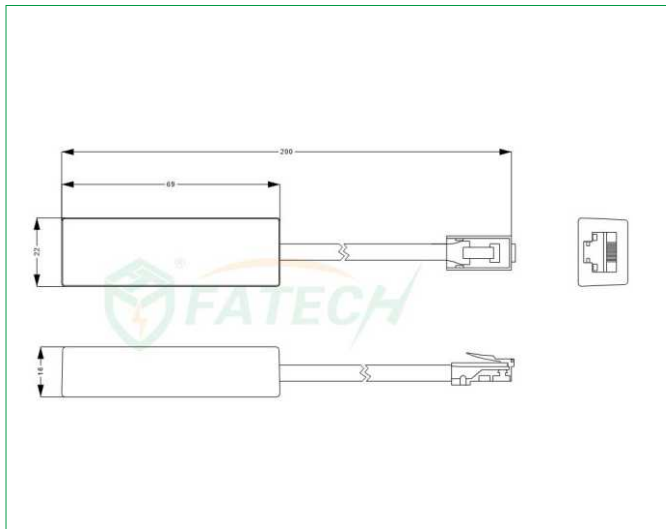


FS-RJ45/PoE-E100



- ◆ RJ45 PoE surge arrester 100M, suitable for application of PoE cable-powered server, wireless AP, network cameras, network switches and other communications equipment supply, network signal line surge protection, integrated design, easy installation.
- ◆ Adopt power supply + signal surge protection integrated design.
- ◆ Install in series, RJ45 interface
- ◆ Use high quality main component with excellent performance.
- ◆ Small insertion loss, good transmission rate.
- ◆ Low residual voltage, efficient surge protection effect.
- ◆ Fast response, stable performance, reliable working.



Model No.		FS-RJ45/PoE-E100	
Type of Network		Network signal transmission system	
Line		Power Supply Line	Signal Line
Nominal voltage 50(60)Hz U_n		48V	5V
Rated Voltage (Max. Cont. Operating Voltage) U_c		60V	6V
Max. discharge current (8/20 μ s) I_{max}		1000A	5kA
Nominal discharge current (8/20 μ s) I_n		500A	2.5kA/line
Voltage protective level U_p	L-L	$\leq 150V$	15V
	L-PE	$\leq 550V$	450V
Adapt transmission rate		—	100Mbit/s
Insertion loss		---	$\leq 0.5Mbit/s$
Interface	IN	RJ45	
	OUT	RJ45	
Mounting		Symmetrical rail(EN50022/DIN46277-3)	
Response time t_a		$\leq 10ns$	
Operation temperature range / humidity / altitude		$-40^{\circ}C \sim +80^{\circ}C$ / 30%~90% / 3000m	
Housing material		UL94 V-0	
Degree of protection		IP20	