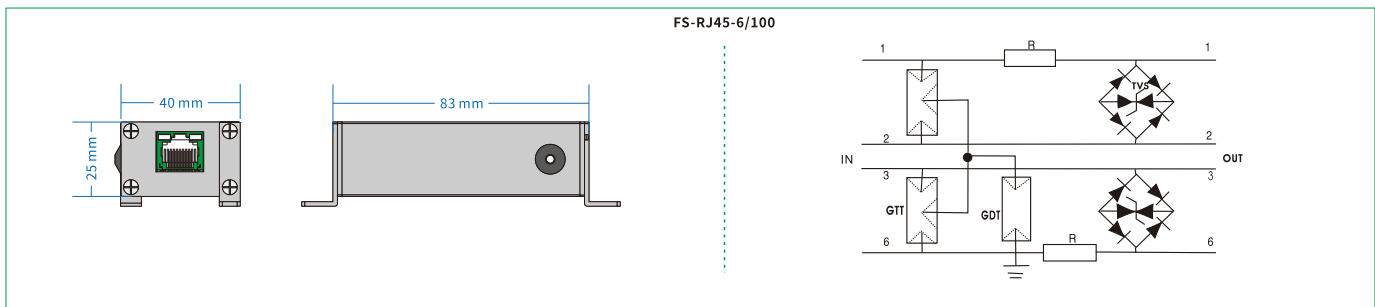


FS-RJ45-6/***



- ◆ RJ45 surge protective device are applied to the protection against inductive over voltage, power interference & electrostatic discharge (ESD) for sensitive lines of telecommunications. e.g. computer network equipment, switches, routers, HUBs & MODEMs.
- ◆ Convenient mounting.
- ◆ Low insertion loss, low residual voltage.
- ◆ Built-in semiconductor, quick response.
- ◆ Low capacitance design, excellent transmission.
- ◆ Can be designed and manufactured according to special requests of clients.
- ◆ Transmission rate: 100M, 1000M for your option.



Model No.	FS-RJ45-6/100	
Type of Network	Network signal transmission system	
Nominal voltage 50(60)Hz U_N	6V	
Rated Voltage (Max. Cont. Operating Voltage) U_c	8V	
Rated current I_l	0.5A	
Max. discharge current (8/20 μ s) I_{max}	5.0kA	
Nominal discharge current (8/20 μ s) I_n	1.5kA	
Voltage protective level U_p	L-L	$\leq 20V$
	L-PE	$\leq 250V$
Adapt transmission rate	100Mbit/s	
Insertion loss	$\leq 1.0Mbit/s$	
Protected Line (Pairs)	(1,2) ; (3,6)	
Interface	IN	RJ45
	OUT	RJ45
Mounting	Bolt fixing	
Response time t_A	$\leq 10ns$	
Operation temperature range / humidity / altitude	-40 $^{\circ}C$ ~+80 $^{\circ}C$ / 30%~90% / 3000m	
Housing material	Aluminium alloy	