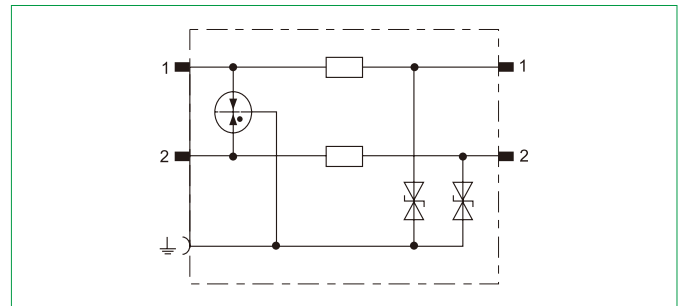
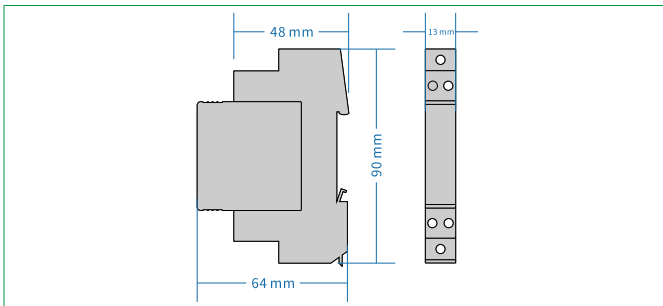


FS-DR-*** / ***



- ◆ Din rail signal surge protective device are applied to control signal double wire circuit in LPZ0 to LPZ3, e.g. 4~20mA circuit, RS485 circuit, RS422 circuit, gas detector, car-park system, CCTV remote monitor, remote control circuits.
- ◆ Common and difference surge protection mode, excellent performance.
- ◆ The pluggable module allows a fast replacement in case of fail.
- ◆ The grounding is realized through an earthing-clip on the DIN-Rail and / or earthing – clamp.
- ◆ No limiting in operating current due to parallel connecting method.
- ◆ Mounting on 35mm Rail, small space.



Model No.		FS-DR-5/1.6	FS-DR-12/2.9	FS-DR-15/4.1	FS-DR-24/5.6	FS-DR-30/7.0	FS-DR-48/9.3	FS-DR-60/10.0
Type of Network		Signal transmission system						
Nominal voltage 50(60)Hz U_N		5.0V	12.0V	15.0V	24.0V	30.0V	48.0V	60.0V
Rated Voltage (DC Max. Cont. Operating Voltage) U_c		6.0V	14.5V	17.8V	26.8V	34.8V	55.1V	70.1V
Rated Voltage (AC Max. Cont. Operating Voltage) U_c		4.2V	10.2V	12.5V	18.9V	24.5V	38.9V	49.0V
Rated current I_L		0.5A	0.5A	0.5A	0.5A	0.5A	0.5A	0.5A
Nominal discharge current (8/20 μ s) I_n		5.0kA	5.0kA	5.0kA	5.0kA	5.0kA	5.0kA	5.0kA
Voltage protective level ($I_{imp}D1$) U_p	L-L	$\leq 50V$	$\leq 70V$	$\leq 85V$	$\leq 100V$	$\leq 130V$	$\leq 200V$	$\leq 240V$
	L-PE	$\leq 45V$	$\leq 60V$	$\leq 70V$	$\leq 80V$	$\leq 80V$	$\leq 120V$	$\leq 150V$
Voltage protective level (1kV/ μ sC3) U_p	L-L	$\leq 16V$	$\leq 38V$	$\leq 50V$	$\leq 70V$	$\leq 95V$	$\leq 150V$	$\leq 180V$
	L-PE	$\leq 8V$	$\leq 19V$	$\leq 25V$	$\leq 35V$	$\leq 50V$	$\leq 75V$	$\leq 90V$
Each line series resistance		1.0 Ω	1.5 Ω	1.8 Ω	1.8 Ω	1.8 Ω	1.8 Ω	1.8 Ω
Band width	L-L	1.6MHz	2.9MHz	4.1MHz	5.6MHz	7.0MHz	9.3MHz	10.0MHz
	L-PE	$\leq 3.0nF$	$\leq 1.0nF$	$\leq 0.9nF$	$\leq 0.7nF$	$\leq 0.6nF$	$\leq 0.3nF$	$\leq 0.3nF$
Capacitance	L-L	$\leq 3.0nF$	$\leq 1.0nF$	$\leq 0.9nF$	$\leq 0.7nF$	$\leq 0.6nF$	$\leq 0.3nF$	$\leq 0.3nF$
	L-PE	$\leq 5.0nF$	$\leq 2.0nF$	$\leq 1.8nF$	$\leq 1.3nF$	$\leq 1.1nF$	$\leq 0.6nF$	$\leq 0.6nF$
I/O Connections		Multi core wire: 0.5mm ² ~2.5mm ²						
Mounting		35mm Symmetrical rail (EN50022/DIN46277-3)						
Response time t_A		$\leq 10ns$						
Operation temperature range / humidity / altitude		-40 $^{\circ}C$ ~+80 $^{\circ}C$ / 30%~90% / 3000m						
Housing material		UL94 V-0						
Degree of protection		IP20						