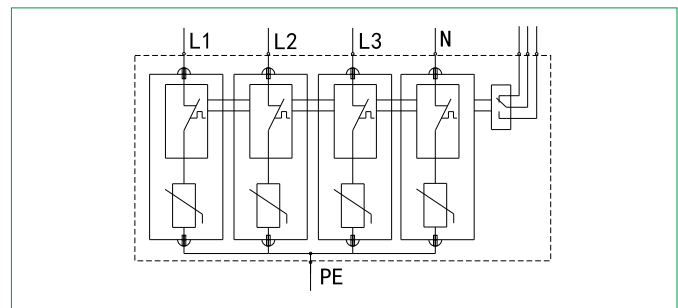
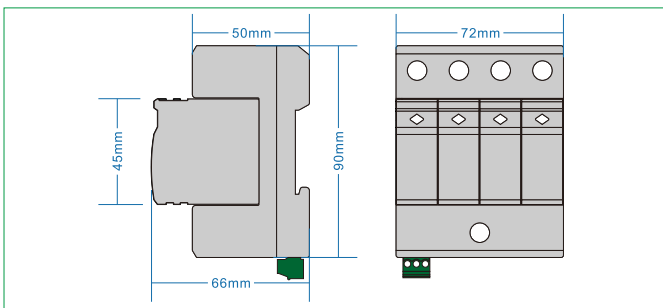


# FV10D/4-\*\*\*(S)



- ◆ Consisting of a base part and MOV pluggable protection modules.
- ◆ For using in the lightning protection zones concept at boundary 1-2.
- ◆ The core parts are metal oxide varistor components with high discharge capacity.
- ◆ Low residual voltage and quick response.
- ◆ Reliable control thanks to Thermo Dynamic Control disconnecter.
- ◆ With remote signaling contact for control device.
- ◆ Fault indication via red mark in the inspection window.
- ◆ Protection mode: L1,L2,L3,N-PE.



| Model No.  | FV10D/4-150(S)                                       | FV10D/4-275(S) | FV10D/4-320(S) | FV10D/4-385(S) | FV10D/4-440(S) |
|--|--|----------------|----------------|----------------|----------------|
| Test class IEC/EN/VDE                              | Class II+III/C+D/ $T_2$ $T_3$                        |                |                |                |                |
| Type of Network                                    | TT, TN   |                |                |                |                |
| Protection Mode                                    | L1, L2, L3, N - PE                                   |                |                |                |                |
| Nominal voltage 50(60)Hz $U_N$                     | 110/220V~  | 220/380V~      | 220/380V~      | 220/380V~      | 220/380V~      |
| Rated Voltage (Max. Cont. Operating Voltage) $U_c$ | 150V~  | 275V~          | 320V~          | 385V~          | 440V~          |
| Max. discharge current (8/20 $\mu$ s) $I_{max}$    | 20kA   |                |                |                |                |
| Nominal discharge current (8/20 $\mu$ s) $I_n$     | 10kA   |                |                |                |                |
| Voltage protective level $U_p$                     | $\leq 0.6$ kV  | $\leq 1.2$ kV  | $\leq 1.5$ kV  | $\leq 1.8$ kV  | $\leq 2.0$ kV  |
| Open circuit voltage $U_{oc}$                      | 20kV   |                |                |                |                |
| Response time $t_A$                                | $\leq 25$ ns   |                |                |                |                |
| Recommended back-up fuse                           | 63A  |                |                |                |                |
| Isolation resistance                               | $> 10^2$ M $\Omega$                                  |                |                |                |                |
| I/O Connections                                    | Multi core wire: 4mm <sup>2</sup> ~25mm <sup>2</sup> |                |                |                |                |
| Mounting   | 35mm Symmetrical rail (EN50022/DIN46277-3)           |                |                |                |                |
| Operation temperature range / humidity / altitude  | -40°C~+80°C / 30%~90% / 3000m                        |                |                |                |                |
| Degree of protection                               | IP20   |                |                |                |                |
| Housing material                                   | UL94 V-0   |                |                |                |                |
| Disconnection indicator                            | Mechanical indicator (Green: OK, Red: replace)       |                |                |                |                |
| Remote control contact                             | Optional   |                |                |                |                |

| Port definition of remote control contact | Range of signal access |                      | Recommended wire specification |                                |
|---|------------------------|----------------------|--------------------------------|--------------------------------|
|   | AC                     | $U_{max} \leq 250$ V | Single core wire               | Max $\leq 1.5$ mm <sup>2</sup> |
|   |                        | $I_{max} \leq 0.5$ A |                                |                                |
|   | DC                     | $U_{max} \leq 60$ V  | Multi core wire                | Max $\leq 1.3$ mm <sup>2</sup> |
|   |                        | $I_{max} \leq 0.1$ A |                                |                                |

Remark: if the model number is without "S", the model is without remote control contact function

Low-voltage Power System